

Model No.: WG250

Model Description: 20" 18V Cordless HT Hedge Trimmer

Note: Also included in combo kits; 901 & 901.1



REMOVE BATTERY BEFORE SERVICE
COVER BLADE WITH SHEATH BEFORE SERVICE
READ USER MANUAL BEFORE SERVICE

Work with blade away from body

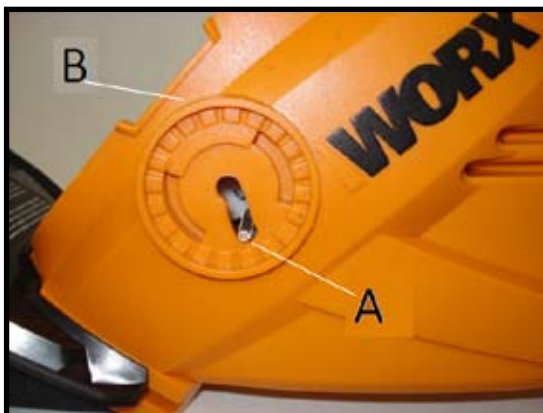


**Model WG250 Hedge Trimmer
Assembly Procedure**

- Place handle in the upright position
- Remove battery
- Loosen screw on left side of the handle



- Depress button to release screw
- Pull screw from handle and housing
- Remove handle assembly



- Hedge trimmer housing (B) and trigger pin (A)

Model No.: WG250

Model Description: 20" 18V Cordless HT Hedge Trimmer

Note: Also included in combo kits; 901 & 901.1



- Handle assembly (Left to Right)



- Handle assembly connection (Left Side)
- **Note:** Special notice of clear plastic trigger pin coupler



- Make sure trigger pin fits inside handle connection
- Avoid squeezing the trigger switch on the auxiliary handle during the handle assembly operation.

Model No.: WG250

Model Description: 20" 18V Cordless HT Hedge Trimmer

Note: Also included in combo kits; 901 & 901.1



- Assemble with handle in an almost vertical position that is aligned properly with housing



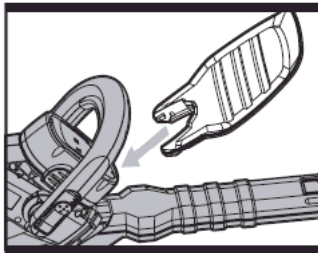
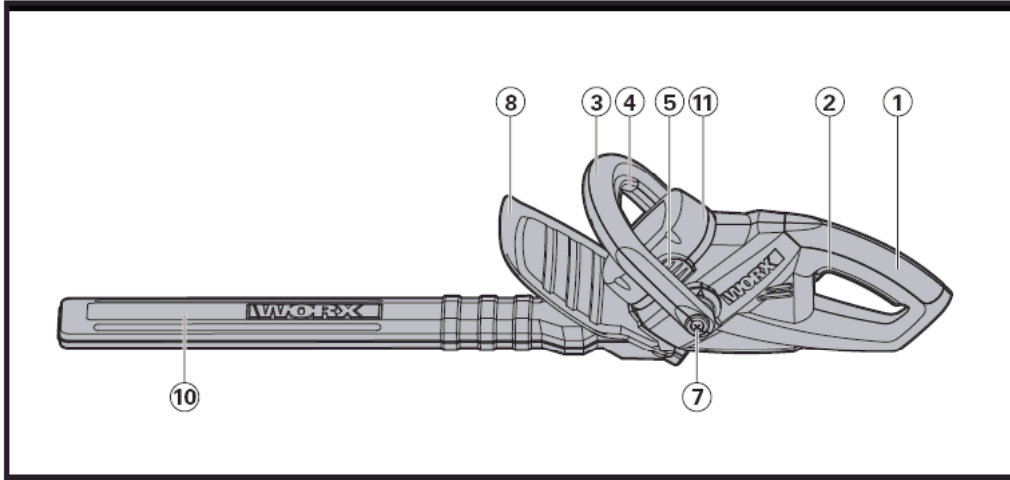
- Properly align handle arrow with housing line

**Finish Reassembly Per
USER MANUAL INSTRUCTIONS**

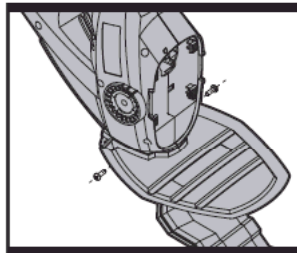
Model No.: WG250

Model Description: 20" 18V Cordless HT Hedge Trimmer

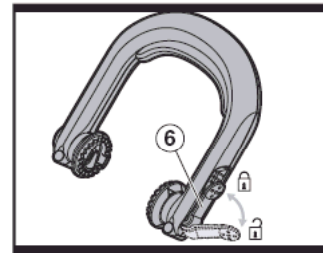
Note: Also included in combo kits; 901 & 901.1



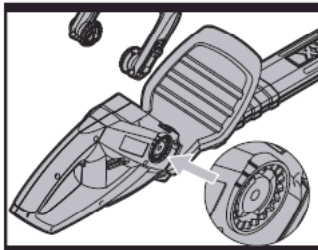
A.1



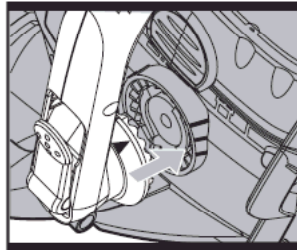
A.2



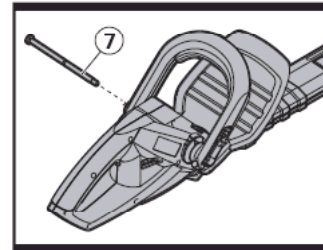
B.1



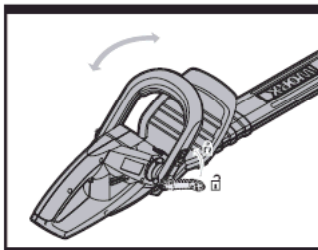
B.2



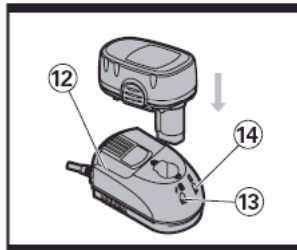
B.3



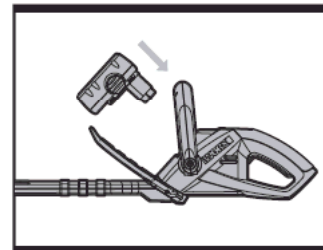
C.1



C.2



D

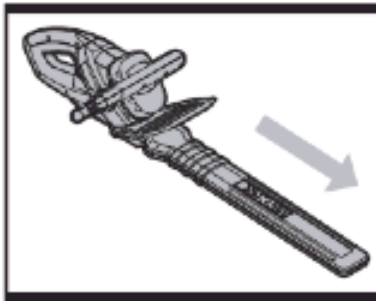
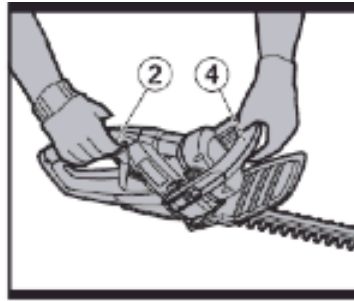
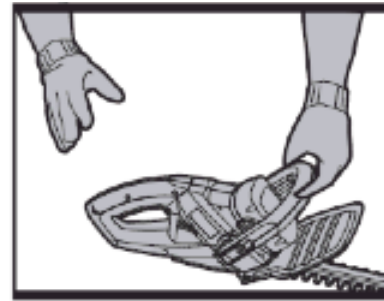
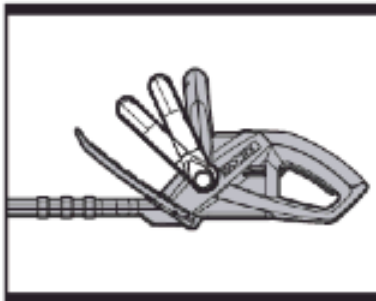
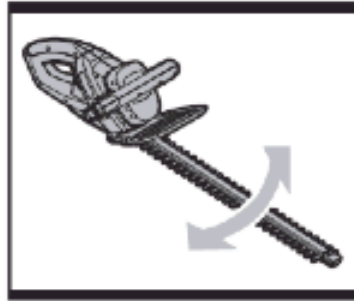
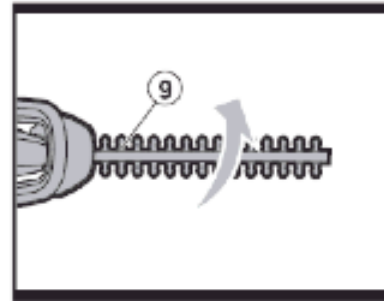
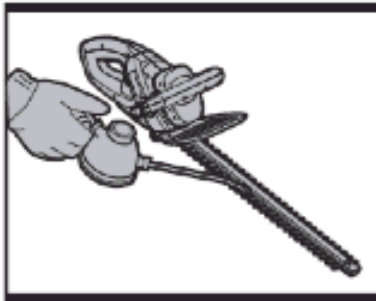
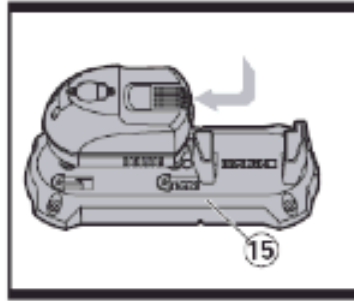
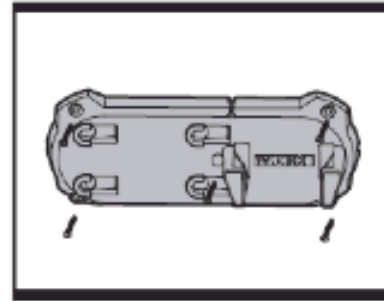
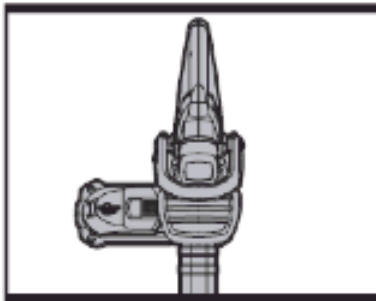
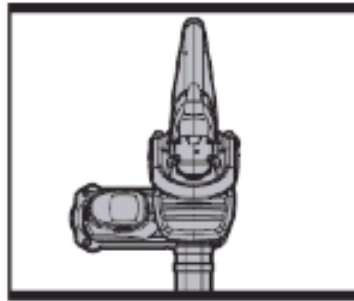
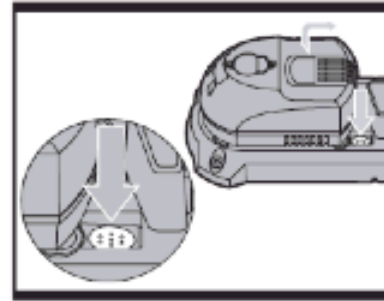


E

Model No.: WG250

Model Description: 20" 18V Cordless HT Hedge Trimmer

Note: Also included in combo kits; 901 & 901.1

**F****G****H****I****J****K****L****M.1****M.2****N.1****N.2****O**

Model No.: WG250

Model Description: 20" 18V Cordless HT Hedge Trimmer

Note: Also included in combo kits; 901 & 901.1



-
- 1. REAR HANDLE**

 - 2. SWITCH LEVER**

 - 3. FRONT HANDLE**

 - 4. FRONT SWITCH LEVER (All Around Switch Function)**

 - 5. BATTERY PACK RELEASE LATCH**

 - 6. CAM LEVER (See B.1)**

 - 7. LOCKING BOLT**

 - 8. SAFETY GUARD**

 - 9. BLADE (See K)**

 - 10. BLADE SHEATH**

 - 11. BATTERY PACK (See D)**

 - 12. CHARGER (See D)**

 - 13. CHARGED INDICATOR LIGHT (GREEN) (See D)**

 - 14. CHARGING INDICATOR LIGHT (RED) (See D)**

 - 15. WALL MOUNT BRACKET (See M.1)**
-



WORX Yard Tools
PO Box 681298
Charlotte, NC 28216
866-354-WORX (9679)